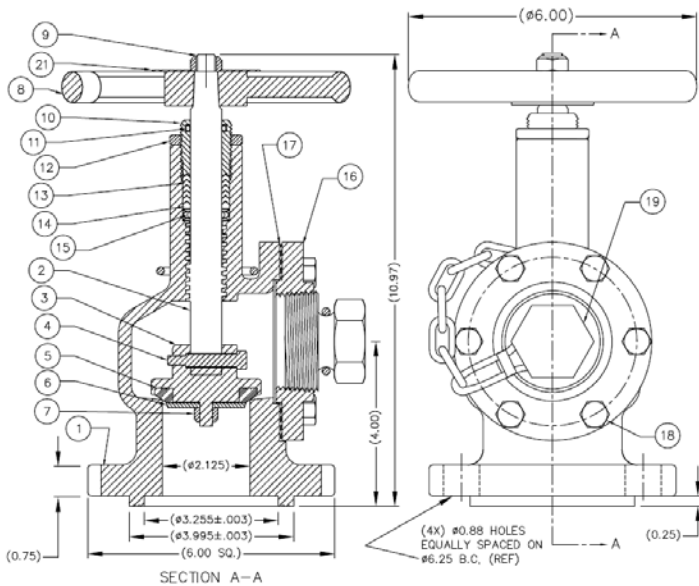




Angle Valve - K2AV



Valve Model	K2AV
Max Operating Pressure	500 psig
Orifice Diameter (in)	2.125
Flow Area (sq. in)	4.00
Weight (lbs)	30
Height (in)	10.97
Flange Thickness (in)	0.75
Number of Bolt Holes	4
Bolt Hole Size (in)	.875
Bolt Circle (in)	6.25
Interface Options	T & G
Closing Torque	25-35 ft-lbs
Hand Wheel Rotation - Clockwise	To Close
Hand Wheel Rotation - Counter Clockwise	To Open

		AAR Approval Number	E162113
ITEM #	QTY.	DESCRIPTION	MATERIAL
1	1	Body	ASTM A352 LCB
2	1	Stem	304 SS
3	1	Seal Disc	304 SS
4	1	Seal Disc Bolt	Steel
5	1	Seal	PTFE
6	1	Seal Retainer	304 SS
7	1	Seal Retainer Nut	Steel/Zinc Plated
8	1	Handle	Aluminum
9	1	Handle Nut	Steel/Zinc Plated
10	1	Packing Screw	Steel/Zinc Plated
11	1	Stem O-Ring	Elastomer
12	1	Packing Screw Jam Nut	18-8 SS
13	1	Packing Kit	PTFE
14	1	Packing Base Ring/Bottom Washer	304 SS
15	1	Wave Spring	Stainless Steel
16	1	Face Plate	Carbon Steel
17	1	Face Plate Gasket	Gylon
18	6	Face Plate Bolt	Steel
19	1	Valve Plug & Chain Assembly	Carbon / Stainless
20	1	Nameplate (Not Shown)	Aluminum
21	1	Instruction Decal (Not Shown)	Plastic

*Under Service Trial – ST 467

Note: Mounting flange gasket not supplied
Maximum operating temperature: 400° (limit of elastomeric seal)